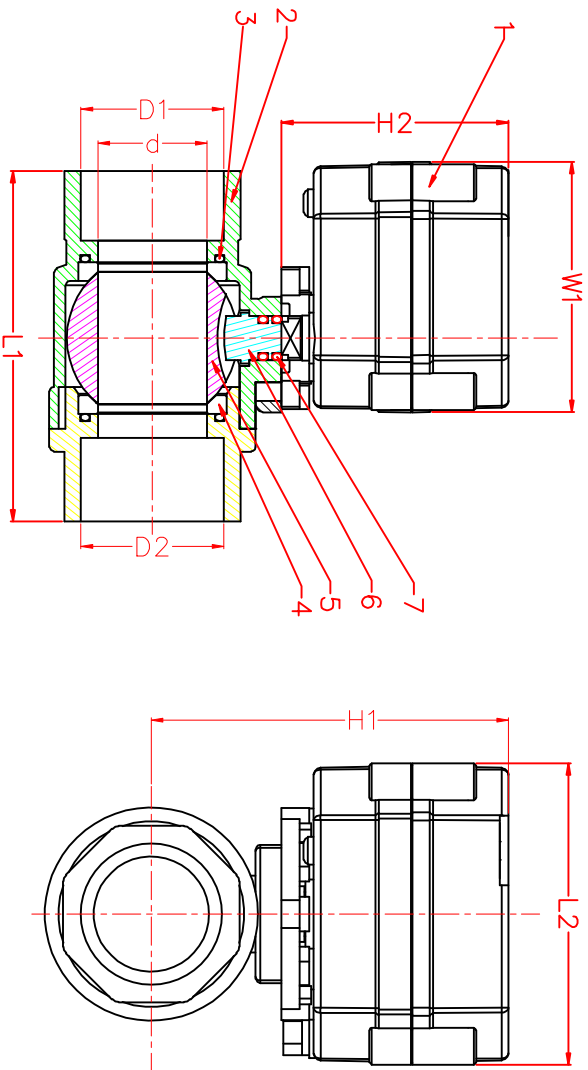


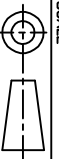
PART CODE :



T50(2") Electric valve	50	140	73.5	82	82	82	72
T40(1 1/2") Electric valve	38	120	77	82	82	82	72
T32(1 1/4") Electric valve	32	110	73.5	82	82	82	72
T25(1") Electric valve	1"	23	72	80.5	49	65	54
T20(3/4") Electric valve	3/4"	20	64	77	49	65	54
T15(1/2") Electric valve	1/2"	15	55	73.5	49	65	54
<b>DESCRIPTION</b>	D1/D2	d	L1	H1	H2	L21	W1

No.	NAME	Material	Specification	Quantity
1	Actuator	PP0		1
2	Body Cover	stainless steel	304	1
3	O-ring	EPDM		2
4	Sealing	PTFE		2
5	Ball	stainless steel	304	1
6	Stem	stainless steel	304	2
7	O-ring	EPDM		2

MATERIAL	QTY/SET	DRN & DATE	TITLE	MODEL NO
FINISH	TREATMENT	CHK & DATE	<b>Electric valve</b>	
COLOUR	UNIT	APPD & DATE		
	MM	SCALE		
Dwg NO/PDD REF NO				SHEET NO
				ISSUE



Taizhou Tonhe Flow Control Equipment Co., Ltd